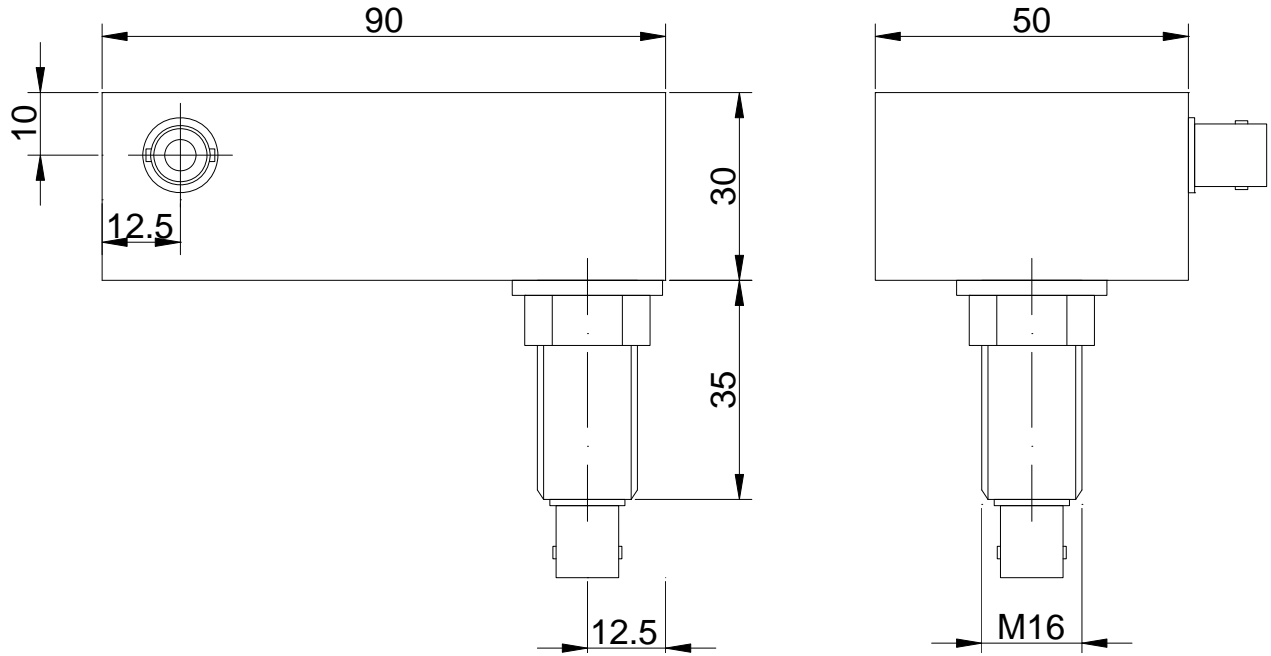


HM-Video-2 Filter 规格书

China HuaMing E&E Co., Ltd WWW.EMCFittings.Com

- 1. Model: HM-Video-2
- 2. Dimension: (mm)



3. Specification: (For Video Signal)

Pass Frequency Band: 0~6MHz

Impedance: 75 Ω

Insert Lossing: $\geq 100\text{dB}$, 100MHz~40GHz

4. Assemble Sketch Map

