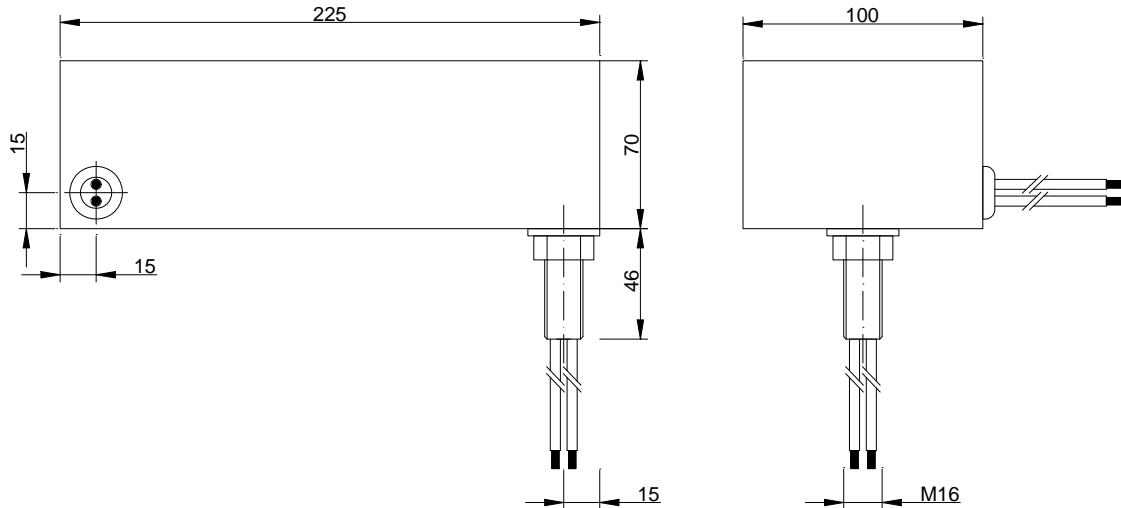


HM-Audio-2 Filter 规格书

China HuaMing E&E Co., Ltd WWW.EMCFittings.Com

1. Type: HM-Audio-2

2. Outline Drawing and Dimensions: (mm)



3. Technical Data:

① Rated Voltage: 250VAC

② Rated current: 2A

③ Lines: 2

④ Insertion Loss: $\geq 100\text{dB}$, 100KHz~10GHz

⑤ Climatic Category: 25/070/21

4. Assembly Parts: ① M16 Conduit Screw: 1pc

② Gasket 16: 1pc

③ M16 Screw Nut: 1pc

④ EMI Gasket: 1pc

⑤ Certificate: 1pc

5. Installation Sketch:

