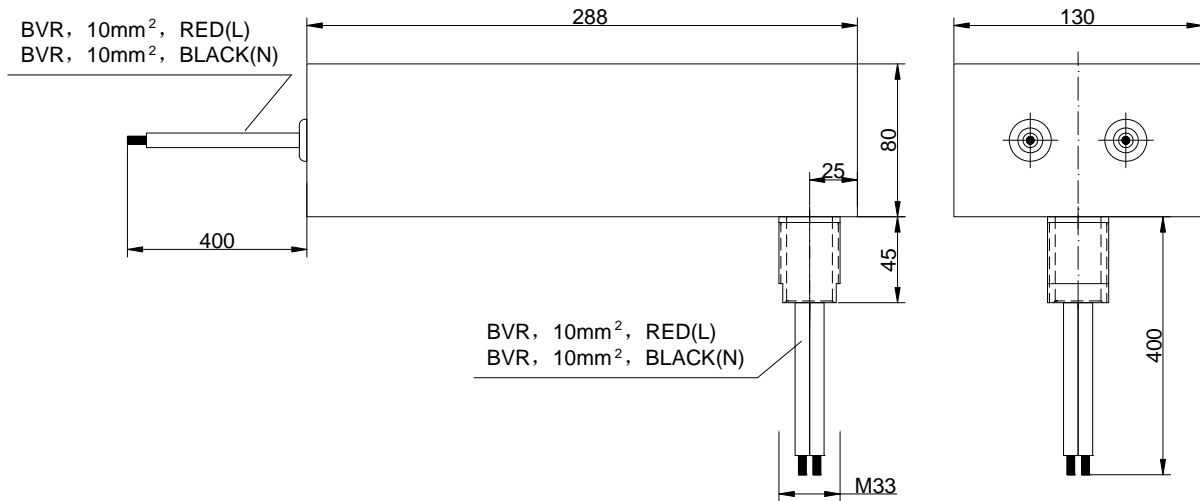


HM-2X50A5 规格书 (High performance power filter)

1. Outline Drawing and Dimensions: (mm)



3. Technical Data:

- ① Rated Voltage: 250VAC
- ② Operating Frequency: 50/60Hz
- ③ Rated current: 50A
- ④ Insertion Loss: ≥ 100 dB, 150KHz~18GHz
- ⑤ Leakage current: ≤ 0.2 A
- ⑥ Climatic Category: 25/070/21

4. Assembly Parts:
- ① M33 Conduit Screw: 1pc
 - ② Gasket 33: 1pc
 - ③ M33 Screw Nut: 1pc
 - ④ EMI Gasket: 1pc
 - ⑤ Certificate: 1pc

5. Installation Sketch:

