

HM-2X30A Power Filter

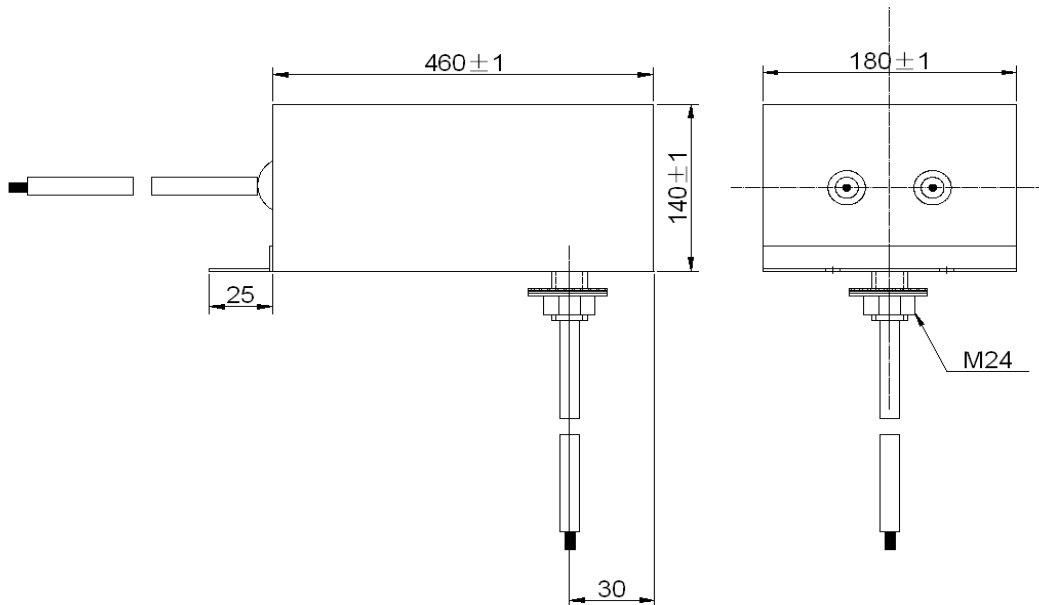
◆ Specification

Rated voltage	220VAC
Operating frequency	60Hz
Rated current	30A
Climatic category	25/085/21
Leakage current $\leq 2.5A@220V/60Hz$	
Test voltage (2s/1Min)	
Line-to-line:	1000VDC
Line-to-case:	1000VDC

Typical insertion loss

Frequency	150K-10GHz
Attenuation (dB)	$\geq 100dB$

◆ Dimension



◆ Features&Applications

- Wide operating band, high insert loss
- Strong ability for restraining interference
- Low voltage drop ,low leakage current

USEAGE: Use for filter in electro-magnetic shielding room、shielding cabinet、electronic、square cabin、information security room 、CT equipment of hospital、nuclear-magnetic、resonance room、SCR current converting equipment、power terminal of the equipments for power purification.